

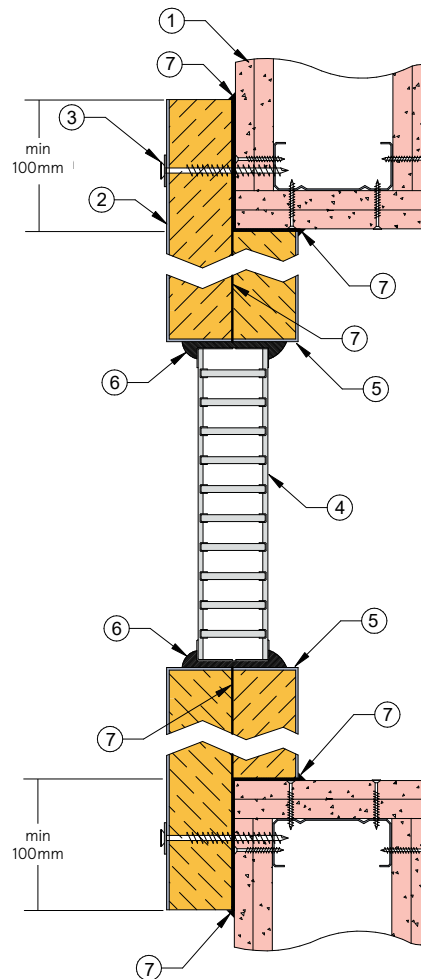
# INTUBATT 4

## FIRE RATED WALL FITTED WITH TBA FIREFLY INTUBATT SYSTEM

### DESCRIPTION

- 1 116mm minimum plasterboard stud wall with plasterboard lined aperture.
- 2 2 x 50mm thick TBA Firefly Intubatt friction fit and one overlapping aperture (min. 100mm).
- 3 TBA Firefly Intubatt panel mechanically fixed to wall with 75mm needle point screws and penny washers at 300mm centres as per test approvals.
- 4 TBA Firefly Intubatt incorporates Lorient LVH44 intumescent fire damper max. 450mm x 450mm.
- 5 TBA Firefly Intubatt aperture raw edges treated with brushable TBA Firefly intumastic sealant, as per test approvals.
- 6 Lorient LVH44 intumescent fire damper glued into TBA Firefly Intubatt with TBA Firefly intumastic sealant (full depth).
- 7 All other joints sealed with TBA Firefly intumastic sealant.

For TBA Firefly product enquiries visit:  
[www.tbafirefly.com.au](http://www.tbafirefly.com.au)



TBA FIREFLY INTUBATT

**Fire rated plasterboard stud wall with TBA Firefly Intubatt containing Lorient LVH44 intumescent damper**  
**FRL Up to -/120/-**

**Fire Resistance in accordance with**  
 AS1530.4 2014

**Approval Ref**  
 EXOVA EWFA FAS190234  
 EXOVA EWFA FAS190235

**Max size**  
 450mm x 450mm

### INSTALLATION INSTRUCTIONS

- ▶ Prepare wall opening to accept TBA Firefly Intubatt.
- ▶ Cut and friction fit Intubatt into wall aperture and fix with screws and washers, as per test approval - see points 2 & 3.
- ▶ Cut hole for LVH44 and prepare aperture in Intubatt cut edges, as per point 4.
- ▶ Fit LVH44 into prepared Intubatt aperture and adhere in place using TBA Firefly intumastic sealant. Note fill details in point 6.
- ▶ Ensure all joints are sealed, as per point 7.
- ▶ Ensure product identification labels are conspicuously positioned for easy identification.
- ▶ Ensure convenient access is provided to allow for AS1851 inspection and maintenance routines.
- ▶ **Note: TBA Intubatt and TBA intumastic sealant supplied by others.**