

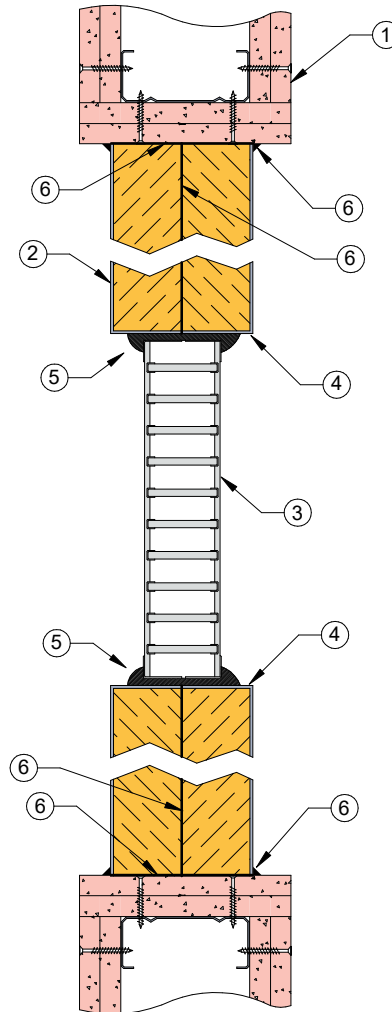
INTUBATT 3

FIRE RATED WALL FITTED WITH TBA FIREFLY INTUBATT SYSTEM

DESCRIPTION

- 1 116mm minimum thick Plasterboard stud wall with plasterboard lined aperture.
- 2 2 x 50mm thick TBA Firefly Intubatt friction fitted centrally into wall aperture.
- 3 TBA Firefly Intubatt incorporates Lorient LVH44 intumescent fire damper max. 450mm x 450mm.
- 4 TBA Firefly Intubatt aperture raw edges treated with brushable TBA Firefly intumastic sealant as per test approvals.
- 5 Lorient LVH44 intumescent fire damper glued into TBA Firefly Intubatt with TBA Firefly intumastic sealant (full depth).
- 6 All other joints sealed with TBA Firefly intumastic sealant.

For TBA Firefly product enquiries visit:
www.tbafirefly.com.au



Fire rated plasterboard stud wall with TBA Firefly Intubatt containing Lorient LVH44 intumescent damper

FRL Up to -/120/-

Fire Resistance in accordance with

AS1530.4 2014

Approval Ref

EXOVA EWFA FAS190234
 EXOVA EWFA FAS190235

Max size

450mm x 450mm

INSTALLATION INSTRUCTIONS

- ▶ Prepare opening in wall to accept the TBA Firefly Intubatt.
- ▶ Friction fit Intubatt into wall aperture, as per test approval and see point 2.
- ▶ Cut hole for LVH44 and prepare aperture in Intubatt, as per point 4.
- ▶ Fit LVH44 into prepared Intubatt aperture and adhere in place using TBA Firefly intumastic sealant. Note fill details in point 5.
- ▶ Ensure all joints are sealed, as per point 6.
- ▶ Ensure product identification labels are conspicuously positioned for easy identification.
- ▶ Ensure convenient access is provided to allow for AS1851 inspection and maintenance routines.

▶ **Note:** TBA Intubatt and TBA intumastic sealant supplied by others.