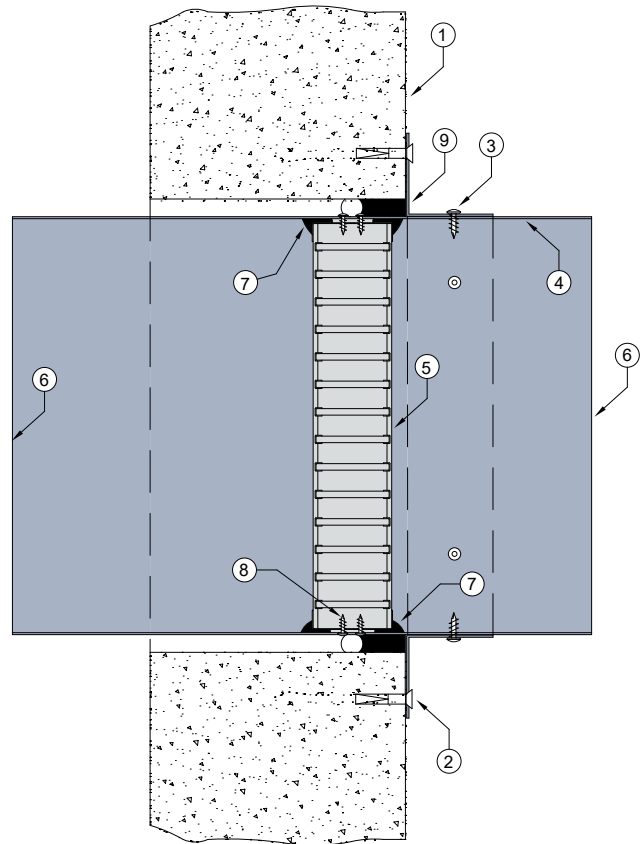


WALL 2

FIRE RATED MASONRY / CONCRETE WALL SYSTEM

DESCRIPTION

- | | |
|---|---|
| 1 | Masonry or concrete wall (minimum 90mm or thicker) |
| 2 | Angles fixed to wall with steel masonry anchors at 150mm centres or at least 2 per side. |
| 3 | 0.6mm (min) Z275 galvanised steel angles to all four sides. Angle dimensions shall be continuous and at least 2 x the dimension of the gap between the damper casing and the penetrated element.
Each angle fixed to damper casing with steel fasteners at 150mm centres or at least 2 per side. |
| 4 | Z275 galvanised steel casing minimum thickness 0.6mm. |
| 5 | Lorient LVH44 intumescent fire damper screw fixed into casing. |
| 6 | Casing terminates with breakaway joints, as per AS1682.2. |
| 7 | Fire damper perimeter sealed with Lorient intumescent sealant. |
| 8 | LVH44 fixed to casing with 2 steel screws (100mm centres). |
| 9 | Gap between casing and aperture filled with Lorient intumescent sealant. Backing rod used as required to control sealant fill depth to at least 50mm. Maximum annular gap between casing and wall 25mm. |



LVH44 in steel casing penetrating fire rated Masonry / Concrete wall

FRL -/120/30 (up to 1200mm x 600mm)

Fire Resistance in accordance with
AS1530.4 2014

Fire Resistance in accordance with
AS1530.4 2014

Approval Ref
EXOVA EWFA
33233400

Approval Ref
EXOVA EWFA
33233400

Max single cell size
600mm x 600mm

Max modular size
600mm x 1200mm /
1200mm x 600mm

INSTALLATION INSTRUCTIONS

- ▶ Prepare the wall opening to accept the fire damper and install in wall, as shown in system detail.
- ▶ Centralise the casing and firestop the gap between the casing and wall with Lorient intumescent sealant, note fill details in point 9.
- ▶ Perimeter angles are mechanically fixed to casing with steel self drilling screws or pop rivets and to wall with steel masonry anchors, as detailed in points 2 & 3.
- ▶ Ductwork shall be connected with breakaway joints, as per point 6.
- ▶ Ensure product identification labels are conspicuously positioned for easy identification.
- ▶ Ensure convenient access is provided to allow for AS1851 inspection and maintenance routines.
- ▶ **Note: Damper casings, angles and fixings supplied by others.**