



LORIENT

WEATHER SEALS

FOR DOORS &

WINDOWS

WEATHER

SEALS F

DOORS

WINDOW



WEATHER SEALS FOR DOORS & WINDOWS

CONTENTS

01	Contents
02	Product Overview
03	Introduction
04	LSR1020 Door + Window Weather Strip
05	LSR1030 Door + Window Weather Strip
06	LSR1040 Door + Window Weather Strip
07	LSR1607 Weather Strip for Doors
08	LSR3011 Weather Strip for Doors
09	LSR3012 Storm Proof Door Seal
10	LSR5010 Brush Strip for Doors
11	LSR8301 Automatic Weather Seal
12	LSR8302 Automatic Weather Seal
13	LSR8303 Automatic Weather Seal
14	Automatic Weather Seal Fixing Options
16	Comprehensive Support
17	Sealing Solutions

ICONS EXPLAINED

The following icons are used throughout this brochure to give clear and easy recognition of a particular seal's function or possible application. Use of the icons does not necessarily indicate that test evidence exists. Please check with the Lorient Technical team.



Acoustic protection



Draught protection



Weather protection



Insects + vermin



Light protection



Approved for use on fire door assemblies for Bushfire attack levels of BAL<29



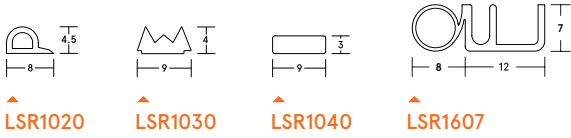
Cold protection

PRODUCT ILLUSTRATIONS

All dimensions in this brochure are in millimetres.

WEATHER STRIPS

(PAGES 4–7)

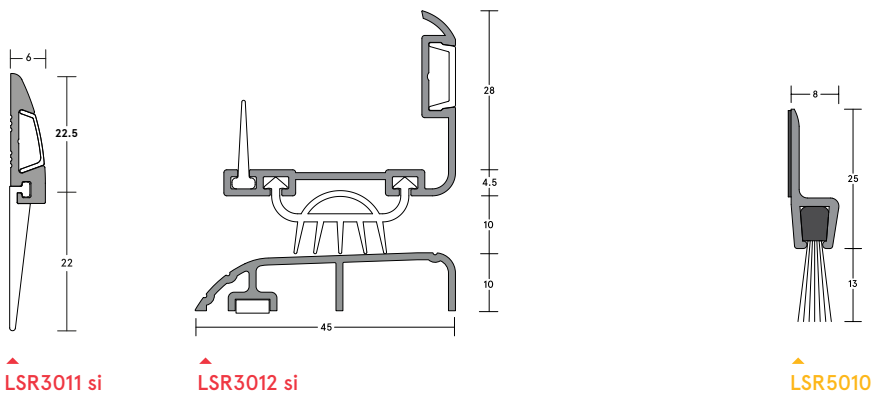


DOOR BOTTOM SEALS

(PAGES 8–9)

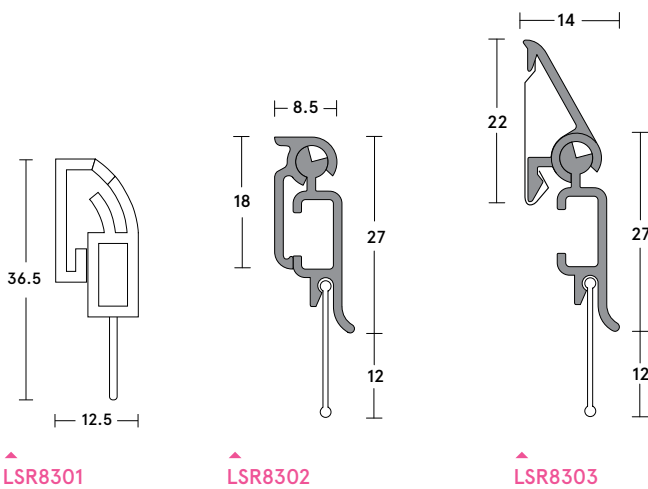
BRUSH STRIP

(PAGE 10)



AUTOMATIC WEATHER SEALS

(PAGES 11–13)



We've been designing and manufacturing high performance sealing systems for over 40 years.

And we're passionate about the products we make. Lorient has an international reputation for designing and manufacturing a wide range of innovative sealing solutions. Our comprehensive range of door and window weather seals protect your home without having to compromise on style.

Having had a presence in Australia since 1986 the Lorient brand is well established and respected. Operating out of our premises in Melbourne VIC we are proud to offer our comprehensive range of products to the Australian and New Zealand markets.



LSR1020

A superior quality, self-adhesive door and window frame strip, designed to protect your home against noise, drafts, insects and weather ingress. Flexible and lightweight, the 'P' shape design allows for easy installation and a secure fit, making it an ideal choice for a wide range of applications.



WEATHER STRIPS



LSR1020



LSR1020

SYSTEM SPECIFICATIONS

Key benefits

- ▶ Quick and easy installation, simply peel and stick in place.
- ▶ Ideal for new build or retrofit applications.
- ▶ Flexible and lightweight.

Performance

- ▶ Protects against sound, weather, draught, light, insects and vermin.

Approvals

- ▶ Bushfire: Approved for use on fire door assemblies for Bushfire attack levels of BAL<29.

Location

- ▶ Perimeter of doors and windows.

Min/max gap size

- ▶ 3mm/4mm.

Seal material

- ▶ Cellular rubber.

Standard length

- ▶ 5m rolls.

Fixing

- ▶ Self-adhesive tape.
- ▶ Note: contact surfaces must be clean, smooth and, if painted, well cured.

Colours

- ▶ White or brown.

LSR1030

A superior quality, self-adhesive door and window frame strip, designed to protect your home against noise, drafts, insects and weather ingress. Flexible and lightweight, the decorative 'W' shape is ideal for uneven gaps and surfaces.



LSR1030



LSR1030

WEATHER STRIPS

SYSTEM SPECIFICATIONS

Key benefits

- ▶ Quick and easy installation, simply peel and stick in place.
- ▶ Ideal for new build or retrofit applications.
- ▶ Suitable for uneven gaps and surfaces.

Performance

- ▶ Protects against sound, weather, draught, light, insects and vermin.

Approvals

- ▶ Bushfire: Approved for use on fire door assemblies for Bushfire attack levels of BAL<29.

Location

- ▶ Perimeter of doors and windows.

Min/max gap size

- ▶ 2mm/3.5mm.

Seal material

- ▶ Cellular rubber.

Standard lengths

- ▶ 5m rolls.

Fixing

- ▶ Self-adhesive tape.
- ▶ Note: contact surfaces must be clean, smooth and, if painted, well cured.

Colours

- ▶ White or brown.

LSR1040

A superior quality, self-adhesive door and window frame strip, designed to protect your home against noise, drafts, insects and weather ingress. Flexible and lightweight, the sleek shape of the LSR1040 is ideal for even gaps.



WEATHER STRIPS



LSR1040



LSR1040

SYSTEM SPECIFICATIONS

Key benefits

- ▶ Quick and easy installation, simply peel and stick in place.
- ▶ Ideal for new build or retrofit applications.
- ▶ Suitable for even gaps.

Performance

- ▶ Protects against sound, weather, draught, light, insects and vermin.

Approvals

- ▶ Bushfire: Approved for use on fire door assemblies for Bushfire attack levels of BAL<29.

Location

- ▶ Perimeter of doors and windows.

Min/max gap size

- ▶ 2mm/3mm.

Seal material

- ▶ PVC foam.

Standard lengths

- ▶ 5m rolls.

Fixing

- ▶ Self-adhesive tape.
- ▶ Note: contact surfaces must be clean, smooth and, if painted, well cured.

Colours

- ▶ White or brown.

LSR1607

Protect your home from the elements with the LSR1607 weather strip. Designed for timber doors to protect against sound, draughts, light, cold, insects and vermin.



LSR1607



LSR1607

SYSTEM SPECIFICATIONS

Key benefits

- ▶ Quick and easy installation, simply pin in place.
- ▶ Flexible bulb is co-extruded to the spine for reliable long term durability.

Performance

- ▶ Protects against sound, weather, draught, light, insects and vermin.

Approvals

- ▶ Bushfire: Approved for use on fire door assemblies for Bushfire attack levels of BAL<29.

Location

- ▶ Mounted on the doorstep for single and double swing doors.

Min/max gap size

- ▶ 0mm/7mm.

Seal material

- ▶ Rigid and flexible PVC.

Standard lengths

- ▶ Single doorset pack: 2 x 2.1m and 1 x 1m.

Fixing method

- ▶ Pin in place using pins supplied.

Finishes

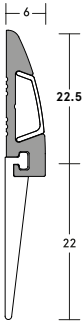
- ▶ White or brown.

LSR3011

A stylish, blade-type door bottom seal for easy face-fixed installations. Featuring a curved profile and flexible cover strip to conceal fixings.



WEATHER STRIP FOR DOORS



LSR3011 si



LSR3011 si

SYSTEM SPECIFICATIONS

Key benefits

- ▶ Curved profile for enhanced aesthetics.
- ▶ Decorative cover strip to conceal fixings.
- ▶ Easily accommodates larger gap sizes.
- ▶ Hard-wearing and durable.

Performance

- ▶ Protects against sound, light, cold, draught, insects and vermin.

Approvals

- ▶ Bushfire: Approved for use on fire door assemblies for Bushfire attack levels of BAL<29.

Location

- ▶ Opening side of the door.
- ▶ Closing side of the door.
- ▶ Ideal for security screens.

Gap size

- ▶ Up to 20mm.

Length

- ▶ 1000mm.

Seal material

- ▶ Aluminium carrier with a flexible silicone rubber gasket.

Fixing method

- ▶ Fixing screws are supplied.
- ▶ Fixing holes are pre-drilled and slotted to allow the seals to be adjusted and positioned accurately.

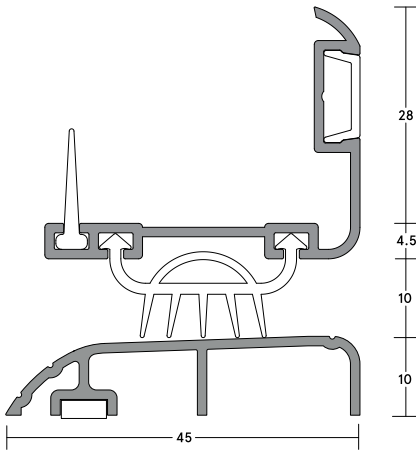
Finishes

- ▶ Silver anodised aluminium with grey cover strip and grey silicone rubber blade.

STORM PROOF DOOR SEAL

LSR3012

A multi-blade storm-proof door bottom seal and threshold plate. Ideal for protecting your home from the elements. A decorative cover strip on the door bottom seal conceals fixings for an aesthetic finish.



LSR3012 si



LSR3012 si

STORM PROOF DOOR SEAL

SYSTEM SPECIFICATION

Key benefits

- ▶ Weatherproof door seal.
- ▶ Decorative cover strip to conceal fixings.
- ▶ Easily accommodates larger gap sizes.
- ▶ Hard-wearing and durable.
- ▶ Durable silicone rubber gaskets.

Performance

- ▶ Protects against weather, light, cold, draught, bushfire embers, sound, insects and vermin.

Approvals

- ▶ Bushfire: Approved for use on fire door assemblies for Bushfire attack levels of BAL<29.

Location

- ▶ Opening side of the door.
- ▶ Closing side of the door.
- ▶ Ideal for security screens.

Gap size

- ▶ 22mm - 24mm.

Standard length

- ▶ 1000mm.

Seal material

- ▶ Aluminium carrier with a flexible silicone rubber gasket.

Fixing method

- ▶ **Threshold plate:** Fixing holes are pre-drilled for ease of application. Fixing screws are supplied.
- ▶ **Door bottom seal:** Fixing holes are pre-drilled and slotted to allow the seals to be adjusted and positioned accurately. Fixing screws are supplied. A snap-fit cover strip to conceal fixings is supplied.

Finishes

- ▶ Silver anodised aluminium with grey cover strip and grey silicone rubber blade.

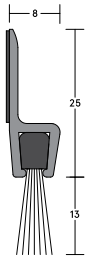
BRUSH STRIP FOR DOORS

LSR5010

A self-adhesive brush seal that is hard wearing, durable and can be fitted to either the inside or outside of a door.



BRUSH STRIP FOR DOORS



LSR5010



LSR5010

SYSTEM SPECIFICATIONS

Key benefits

- ▶ Quick and easy installation with no need to remove the door.
- ▶ Suitable for many door types.
- ▶ The brush conforms to irregular surfaces for a more complete seal.
- ▶ Flexible and durable.

Performance

- ▶ Protects against weather, draught, light and insects.

Approvals

- ▶ Bushfire: Approved for use on fire door assemblies for Bushfire attack levels of BAL<29.

Location

- ▶ Opening side of the door.
- ▶ Closing side of the door.

Gap sizes

- ▶ Up to 13mm.

Length

- ▶ 1000mm – can be trimmed to size.

Seal material

- ▶ Aluminium carrier with polypropylene brush filaments, UV stabilised.

Fixing method

- ▶ Heavy duty self-adhesive tape.

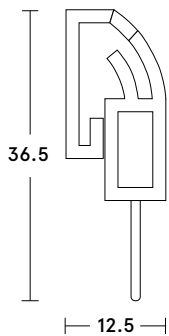
Finishes

- ▶ Silver or bronze anodised aluminium with black brush filaments.

AUTOMATIC WEATHER SEAL

LSR8301

A lever activated automatic weather seal, with high efficiency mechanism that lifts the seal clear of the floor as soon as you open the door by a few millimetres. It's quick and easy to install without cutting or removing the door and can be fitted to a range of door types.



LSR8301



LSR8301

AUTOMATIC WEATHER SEALS

SYSTEM SPECIFICATIONS

Key benefits

- ▶ Suitable for many door types.
- ▶ Ideal for security screens.
- ▶ Quick & easy installation - no need to cut or remove the door.
- ▶ Flexible and durable.

Performance

- ▶ Protects against weather, cold, draught, light, sound insects and vermin.

Approvals

- ▶ Bushfire: Approved for use on fire door assemblies for Bushfire attack levels of BAL<29.

Location

- ▶ Opening side of the door.
- ▶ Closing side of the door.
- ▶ Overlay doors.

Gap sizes

- ▶ 3mm - 14mm.

Length

- ▶ 930mm - can be cut back to 150mm.

Seal material

- ▶ Tri-extruded plastic.

Fixing method

- ▶ LSR8301 is screw fixed onto the bottom of the door.
- ▶ Use the lever and stike plate for the opening side of a door.
- ▶ Use the lever and triangualr stike for overlay doors.
- ▶ Use the circular stike for the closing side of the door.

Finishes

- ▶ White with grey fixings.
- ▶ Brown with black fixings.

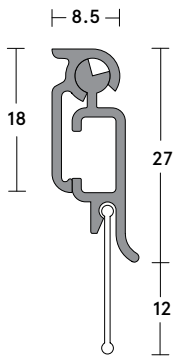
AUTOMATIC WEATHER SEAL

LSR8302

A cam activated automatic weather seal, with high efficiency spring mechanism that lifts the seal clear of the floor as soon as you open the door by a few millimetres. No cutting or removal of the door is required; simply screw in place.



AUTOMATIC WEATHER SEALS



LSR8302



LSR8302

SYSTEM SPECIFICATIONS

Key benefits

- ▶ Suitable for many door types.
- ▶ Ideal for security screens.
- ▶ Quick & easy installation - no need to cut or remove the door.
- ▶ Flexible and durable.

Performance

- ▶ Protects against weather, cold, draught, light, sound, insects and vermin.

Approvals

- ▶ Bushfire: Approved for use on fire door assemblies for Bushfire attack levels of BAL<29.

Location

- ▶ Opening side of the door.
- ▶ Closing side of the door.
- ▶ Overlay doors.

Gap sizes

- ▶ 3mm - 16mm.

Length

- ▶ 925mm - can be cut back to 400mm.

Seal material

- ▶ Aluminium carrier with a flexible PVC blade.

Fixing method

- ▶ LSR8302 is screw fixed onto the bottom of the door.
- ▶ Use the lever and stike plate for the opening side of a door.
- ▶ Use the lever and triangualr stike for overlay doors.
- ▶ Use the circular stike for the closing side of the door.

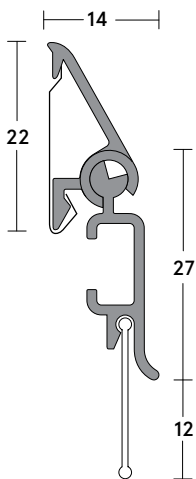
Finishes

- ▶ Silver anodised aluminium with grey fixings.
- ▶ White lacquered aluminium with grey fixings.
- ▶ Brown lacquered aluminium with black fixings.

AUTOMATIC WEATHER SEAL

LSR8303

A cam activated automatic weather seal, with high efficiency spring mechanism that lifts the seal clear of the floor as soon as you open the door by a few millimetres. A clever clip system enables quick and easy installation.



LSR8303



LSR8303

AUTOMATIC WEATHER SEAL

SYSTEM SPECIFICATIONS

Key benefits

- ▶ Suitable for many door types.
- ▶ Ideal for security screens.
- ▶ Quick & easy installation - no need to cut or remove the door.
- ▶ Flexible and durable.

Performance

- ▶ Protects against weather, cold, draught, light, sound, insects and vermin.

Approvals

- ▶ Bushfire: Approved for use on fire door assemblies for Bushfire attack levels of BAL<29.

Location

- ▶ Opening side of the door.
- ▶ Closing side of the door.
- ▶ Overlay doors.

Gap sizes

- ▶ 3mm - 28mm.

Length

- ▶ 925mm - can be cut back to 150mm.

Seal material

- ▶ Aluminium carrier with a flexible PVC blade.

Fixing method

- ▶ LSR8303 is screw fixed onto the bottom of the door with hidden spring clips.
- ▶ Use the lever and stike plate for the opening side of a door.
- ▶ Use the lever and triangular stike for overlay doors.
- ▶ Use the circular stike for the closing side of the door.

Finishes

- ▶ Silver anodised aluminium with grey fixings.
- ▶ White lacquered aluminium with grey fixings.
- ▶ Brown lacquered aluminium with black fixings.

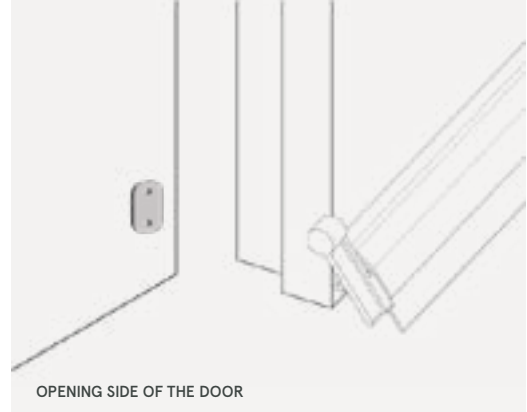
FIXING OPTIONS

The Lorient range of automatic weather seals offer flexibility when it comes to fitting. Each seal is supplied with a fixing kit suitable for three different door configurations.

1. OPENING SIDE OF THE DOOR

LEVER + RECTANGULAR STRIKE

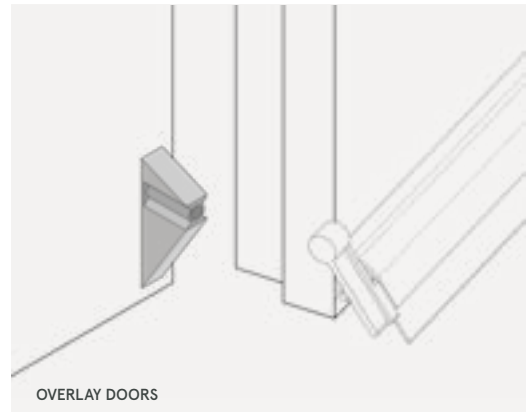
- On the handle-side of the door, push lever into the seal with the cylindrical section at the top.
- Close door and mark where lever touches the frame and fit rectangular strike plate.
- Using a hammer, pin the square plastic strike to frame using the 2 pins provided.



2. OVERLAY DOORS

LEVER + TRIANGULAR STRIKE

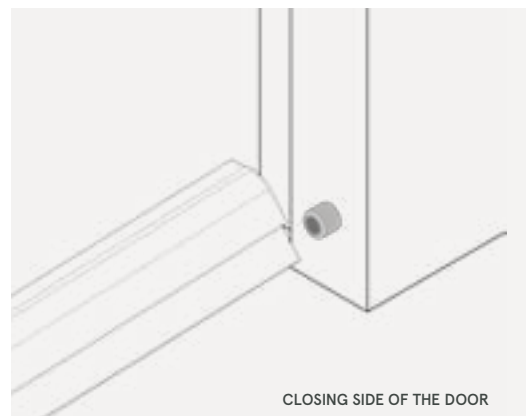
- On the handle-side of the door, push lever into the seal with the cylindrical section at the top.
- Close door and mark where lever touches the frame.
- Screw triangular strike to frame using screw provided.



3. CLOSING SIDE OF THE DOOR

CIRCULAR STRIKE

- With the door in the closed position, slide the cylinder against the seal at the hinge-side stop until the seal is making contact with floor. Screw cylinder into position.



WEATHER SEALS FOR DOORS & WINDOWS



COMPREHENSIVE SUPPORT

As a company we have over 40 years' experience, so our experts are well equipped to listen, help and advise you on your sealing system requirements.

Technical Services

We're happy to provide specialist advice on acoustic, smoke and fire protection for refurbishment and new build projects. If you need assistance, you can call our Technical Services team.

Alternatively, we can arrange a site visit to get a clearer idea of your needs and how we can help you. We also provide copies of test reports and samples where needed; and can give guidance on how best to meet Building Regulations and Standards.

Web Support

Our website features a comprehensive range of supporting documents covering the entire range of products, including installation guides and datasheets. All of our brochures are available to download within the Catalogue Centre.

Customisation

If you have a particular requirement which isn't covered by the applications in this brochure, we may be able to supply an existing non-standard item, or even develop a customised solution for you. Utilising in-house expertise, bespoke products are created to your requirements; from a functional or aesthetic perspective, or both.

Lorient's dedicated Technical Services team supports and works as part of your design team, offering informed product advice and guidance on regulatory requirements and standards.



Call our Technical
Services team

+61 (0) 3 8574 3888

www.lorient.com.au

SEALING SOLUTIONS

Detailed information about our products can be found in the following brochures:



Retro-fit Solutions

A range of approved retro-fit upgrade solutions to assist in salvaging fire doors identified with excessive clearances.

Smoke Sealing Solutions

Retro-fit smoke sealing solutions for service enclosures located in exit routes.

Architectural, Acoustic, Smoke & Fire Containment Systems

A variety of door sealing systems including perimeter seals, drop seals, threshold plates, door bottom seals etc.

Intumescent Fire Dampers Product Selector

The Product Selector tool enables quick and easy selection of our collection of high-performance fire & smoke resistant air transfer grilles.

LVH44 & LVH44C Intumescent Fire Dampers

A comprehensive range of intumescent air transfer grilles for doors, walls, ducts, floors and ceilings.

Weather Seals for Doors & Windows

A collection of door and window seals for weather protection.

Copies of these brochures are available to download from our website:

www.lorient.com.au

ER
OR
&
WS



AUSTRALIA

T: 1300 LOCK UP (1300 562 587)
E: customerservice.au@assaabloy.com

ASSA ABLOY AUSTRALIA PTY LTD
235 Huntingdale Road
Oakleigh
VIC 3166
Australia

NEW ZEALAND

T: 61 (0)9 448 9188
E: nzsales@assaabloy.com

ASSA ABLOY NEW ZEALAND
6 Armstrong Road
Rosedale
Auckland 0632
New Zealand

For further information about
Lorient products please visit:
www.lorient.com.au